

# Holding

Channel Induction Furnace Type LFR and IRT  
Crucible Induction Furnace Type LFS

[www.abpinduction.com](http://www.abpinduction.com)

**ABP** | PEOPLE.  
INDUCTION | TECHNOLOGY.  
SUCCESS.

# Channel Induction Furnace

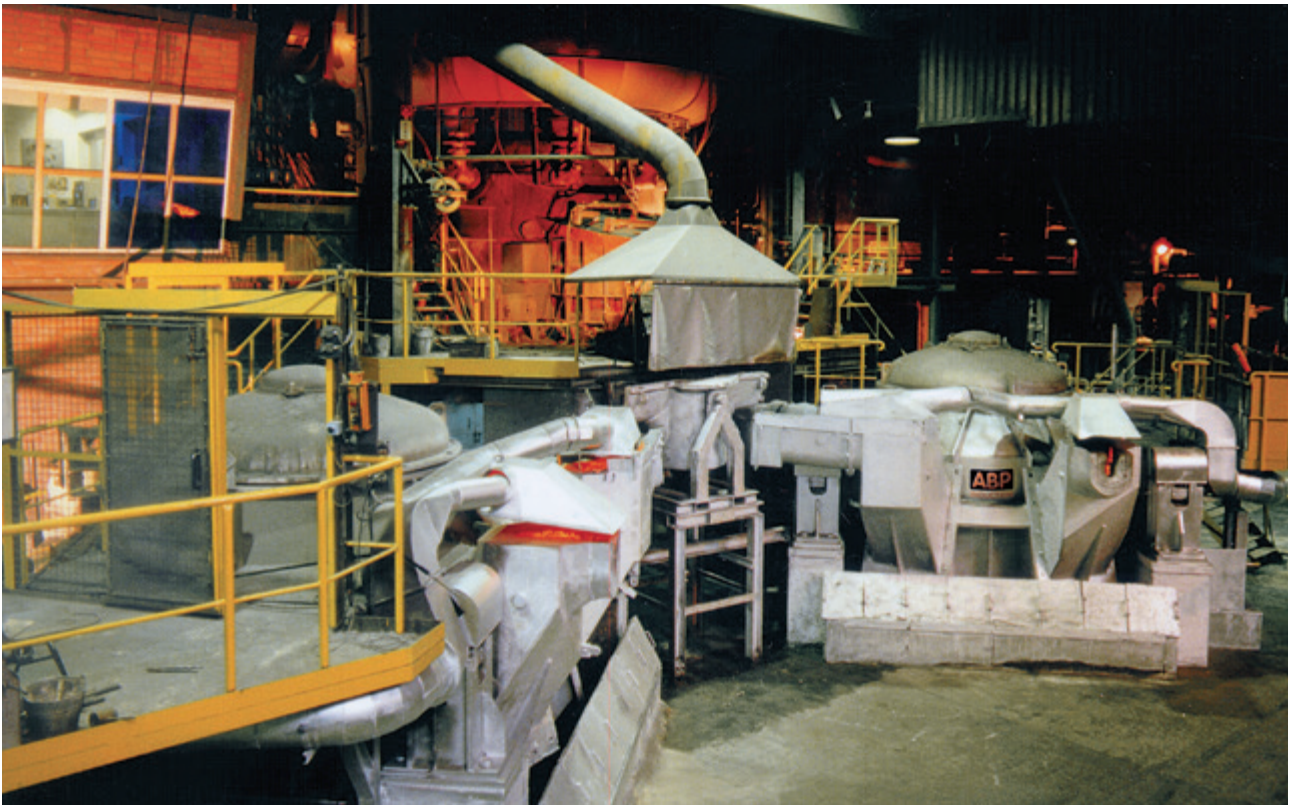
## Available systems

### Type LFR

- 13 – 40 t capacity for smaller volumes
- Inductor power rating between 500 – 1.000 kW available

### Type IRT

- 60 – 155 t capacity for bigger volumes
- Inductor power rating between 700 – 3.000 kW available



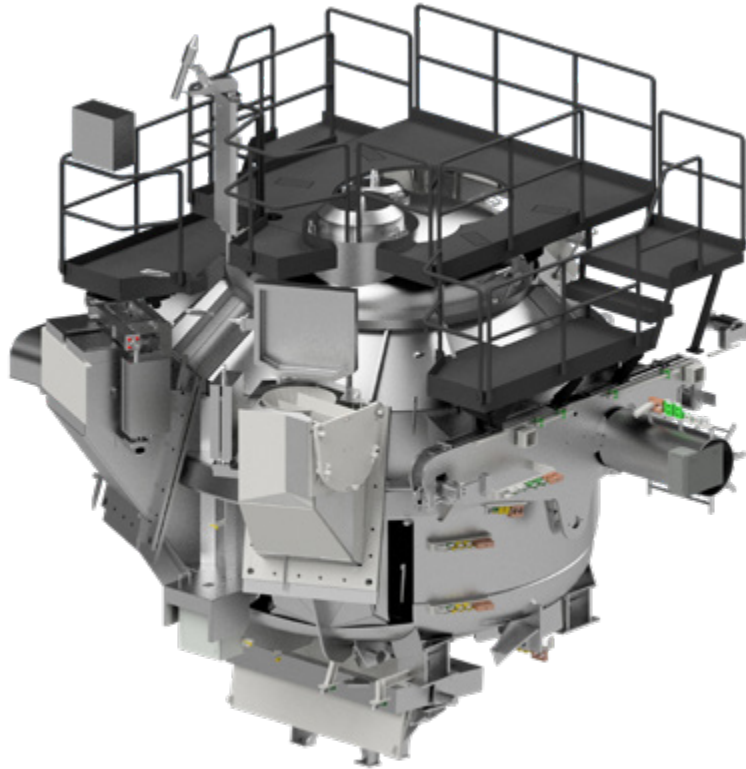
## Advantages at a glance

- High reliability and availability
- Low energy consumption
- High operational safety
- Maintenance friendly design
- Functional design
- Simultaneous filling and tapping
- High refractory lifetime

# Type LFR and IRT

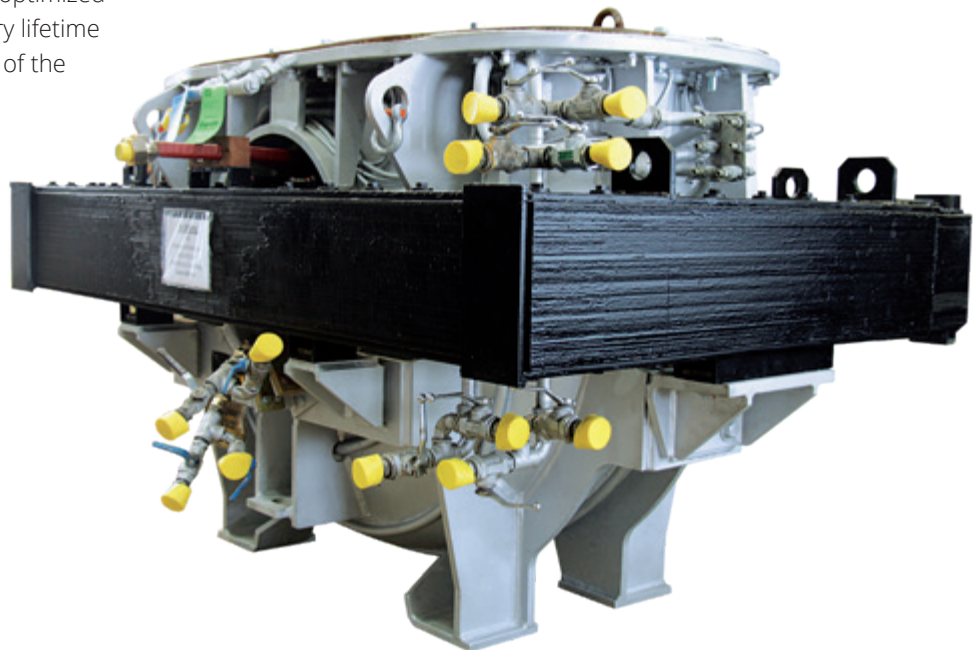
## Vessel design

- Simultaneous filling and tapping
- Compact, cylindrical-shaped vessel (LFR) for smaller volumes
- Spherical-shaped vessel (IRT)
- Deslagging door at the back
- Tilttable in two directions
- Minimized heat losses



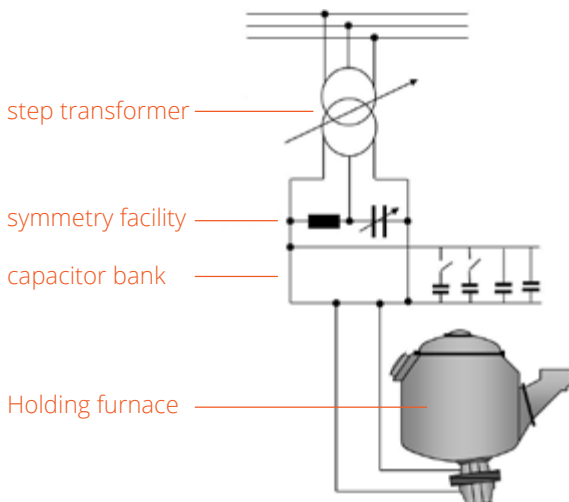
## Inductor design

- Water-cooled
- Various channel models for optimized operation and long refractory lifetime
- Automatic trend monitoring of the inductor condition



## Furnace processor PRODAPT® - H/P

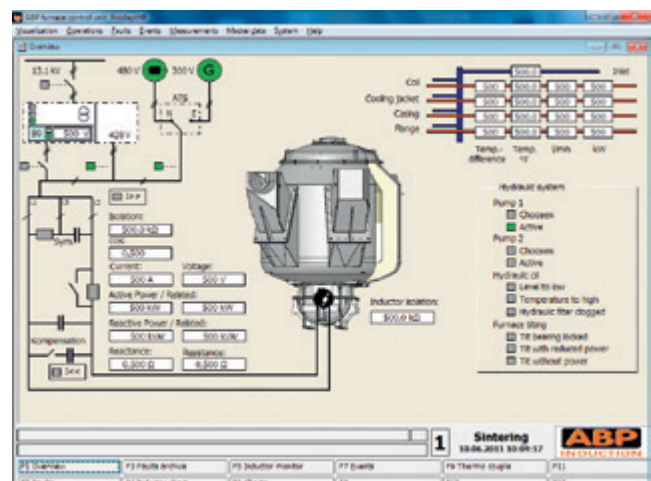
- Calculation of energy request according to the furnace content
- Control of energy supply for holding operation, as well as for cold-start and sintering
- Monitoring and visualization of operation data and conditions
- Monitoring of inductor key figures and evaluation in inductor diagram
- System monitoring and alarm function
- Reporting function



Power frequency power supply

## Efficient power supply with modern IGBT technology

- Compact design based on modular structure
- High efficiency
- No de-ionized water necessary
- Improved availability through short service times during a breakdown
- Power factor  $\cos \varphi > 0,95$



Furnace processor PRODAPT®

# Type LFS Crucible holding furnace

## Available systems

### Type LFS

- 10 – 40 t capacity (related to cast iron)
- Power supplies between 750 – 8.000 MW available

### Advantages at a glance

- For ferrous and non-ferrous metals
- High reliability and availability
- Low energy consumption
- High operational safety
- Maintenance friendly design
- Low life cycle costs
- energy supply in modern IGBT as well as in approved SCR design



# Your Contacts

## GERMANY

ABP Induction Systems GmbH  
Kanalstrasse 25  
44147 Dortmund  
Phone: +49 (0) 231 - 997 - 0  
Fax: +49 (0) 231 - 997 - 2293

## RUSSIA

ABP Induction Systems GmbH  
Branch Office  
Ryazanski prospect, 75/4  
109456 Moscow  
Phone: +7 (495) 620 57 26  
Fax: +7 (495) 620 57 26

## INDIA

ABP Induction Systems Pvt. Ltd.  
E-120/Unit-2, Manjusar GIDC Industrial Area  
Opp. Du Pont factory  
Savli - 391775, Vadodara  
Phone: +91 2667 264808/809  
Fax: +91 2667 264808/810

## CHINA

ABP Induction Systems (Shanghai) Co. Ltd.  
No.118, Lane 289 Fulian II Rd.  
Baoshan District,  
Shanghai 201906  
Phone: +86 (0) 21 - 5639 1278  
Fax: +86 (0) 21 - 5639 0822

## USA

ABP Induction LLC  
1460 Livingston Ave.  
North Brunswick, NJ 08902  
Phone: +1 732 - 932 - 6400  
Fax: +1 732 - 828 - 7274

## MEXICO

ABP Induction Systems SRL de CV  
Priv. La Puerta 2882-4  
Parque Ind. La Puerta  
Santa Catarina, N.L. 66350  
Phone: +52 81 8390 - 2775  
Fax: +52 81 8390 - 2774

## SOUTH AFRICA

ABP Induction Furnaces (PTY) Ltd.  
77 Heidelberg Rd.  
City Deep/Johannesburg  
Phone: +27 (0) 11 623 1814/17  
Fax: +27 (0) 11 623 1809

## SWEDEN

ABP Induction AB  
Spännarhyttans Ind. område  
738 92 Norberg  
Phone: +46 223 23135  
Fax: +46 223 21429

## THAILAND

ABP Induction Ltd.  
80/1 Moo 11, Phaholyotin Road  
Tambol Klong Nueng  
Amphur Klong Luang  
Pathumthanee 12120  
Phone: +66 25 29 34 57  
Fax: +66 25 29 34 84